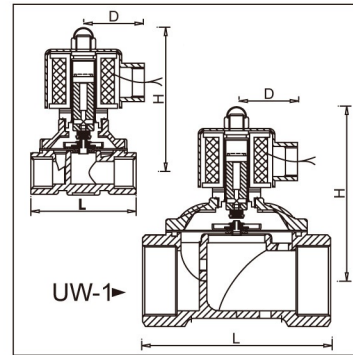


# UW(-1). UW(-1 )-NO Series

## UW/UW-1 Series

1. UW(-1) series is direct, multiplex, connected diaphragm, conductive, and normally closed
2. Valve body made of stainless steel
3. Able to be operated under very low pressure
4. Standard voltage: AC110V / AC220V(50/60Hz) / DC24V
5. AC Voltage tolerance: ±10%; DC Voltage tolerance: ±1%
6. Screwed end: BSPT; Specific specification is acceptable to NPT, BSP, DIN and NASS Coil
7. Custom-made AC/DC voltage is acceptable
8. Acceptable for specific fluid type when ordering (ex. Steam, gas, vacuum, diesel, gasoline)
9. Acceptable for operating temperature to customize Viton (130°C) and Silicone (130°C)



**Optional:**  
NASS DIN Plug Coil  
Waterproof:IP65

Option coil:



NASS COIL	DIN COIL	MODEL	PIPE SIZE	Cv	ORIFICE	INSTANT FLUID TEMP °C	MAX. OPERATING PRESSURE DIFF. KG/CM <sup>2</sup>				DIMENSION(mm)			WEIGHT (kg)
							WATER	AIR	LIGHT OIL	VACUUM	L	H	D	
●	●	UW-15	1/2"	4.5	15 mm	-5°C ~ 80°C	0-5	0-7	0-5	0-760 Torr	70	100	42	1
●	●	UW-20	3/4"	8.6	20 mm	-5°C ~ 80°C	0-5	0-7	0-5	0-760 Torr	76	100	42	1.1
●	●	UW-25	1"	12	25 mm	-5°C ~ 80°C	0-5	0-7	0-5	0-760 Torr	100	110	42	1.65
	●	UW-35-1	1 1/4"	24	35 mm	-5°C ~ 80°C	0-5	0-7	0-5	0-760 Torr	123	112	42	2.33
	●	UW-40-1	1 1/2"	28	40 mm	-5°C ~ 80°C	0-5	0-7	0-5	0-760 Torr	123	112	42	2.54
	●	UW-50-1	2"	48	50 mm	-5°C ~ 80°C	0-5	0-7	0-5	0-760 Torr	167	125	42	4.59

DATA SHEET	
PARTS	MATERIAL
Coil	Special copper wire(H)
Tube	Stainless steel
Core	Stainless steel
Core spring	Stainless steel
Plug	NBR. Viton. Silicone
Diaphragm	NBR. Viton. Silicone
Valve	Stainless steel