

Low pressure gauge with nickel plated steel case

Model: P440 series

Spec. sheet no. PD04-06

Service intended

P440 series are designed to measure low, vacuum or compound pressure. These models have beryllium copper element and nickel plated steel case.



Nominal diameter

63, 75 and 100 mm

Accuracy

±1.5% of full scale

Scale range (kPa, mbar)

-50 ~ 0 to -5 ~ 0 kPa

-15 ~ 15 to -2.5 ~ 2.5 kPa

0 ~ 5 to 0 ~ 50 kPa

Working pressure

Steady : 75% of full scale

Over range protection : 130% of full scale

Working temperature

Ambient : -20 ~ 60°C

Fluid : Max. 60°C

Temperature effect

Accuracy at temperature above and below the reference temperature (20°C) will be effected by approximately ±0.6% per 10°C of full scale



Model : P440



Model : P440 (PC cover)

Standard features

Pressure connection

Nickel plated brass

316SS, only available with 63 mm "F" type

Element

Beryllium copper

Case

Nickel plated steel

Stainless steel (304SS), only available with 63 mm

"F" and "J" type

Cover

Nickel plated steel

Stainless steel (304SS), only available with 63 mm

"F" and "J" type

Window

Glass

Polycarbonate

Movement

Brass

Dial

White aluminium with black graduations

Pointer

Black painted aluminium alloy

Process connection

63 mm : 1/8", 1/4" PT, NPT and PF

75 mm : 1/4", 3/8" PT, NPT and PF

100 mm : 3/8", 1/2" PT, NPT and PF

1. Base model

P440 Low pressure gauge with nickel plated steel case

2. Nominal diameter, case and cover material

- 2** 63 mm, steel case and cover, only available with "A" type
- 3** 75 mm, steel case and cover
- 4** 100 mm, steel case and cover

3. Type of mounting

- A** Bottom connection, direct
- F** Center back, direct, only available with diameter 63 mm and stainless steel case
- J** Center back, flush, only available with diameter 63 mm

4. Accuracy

- 4** ±1.5% of full scale

5. Process connection

- B** 1/8"
- C** 1/4"
- D** 3/8", not available with diameter 63 mm
- E** 1/2", only available with diameter 100 mm

6. Connection type

- B** PF
- C** PT
- D** NPT

7. Unit

- J** kPa
- S** mbar

8. Range

XXX Refer to pressure unit and range table

9. Dial color

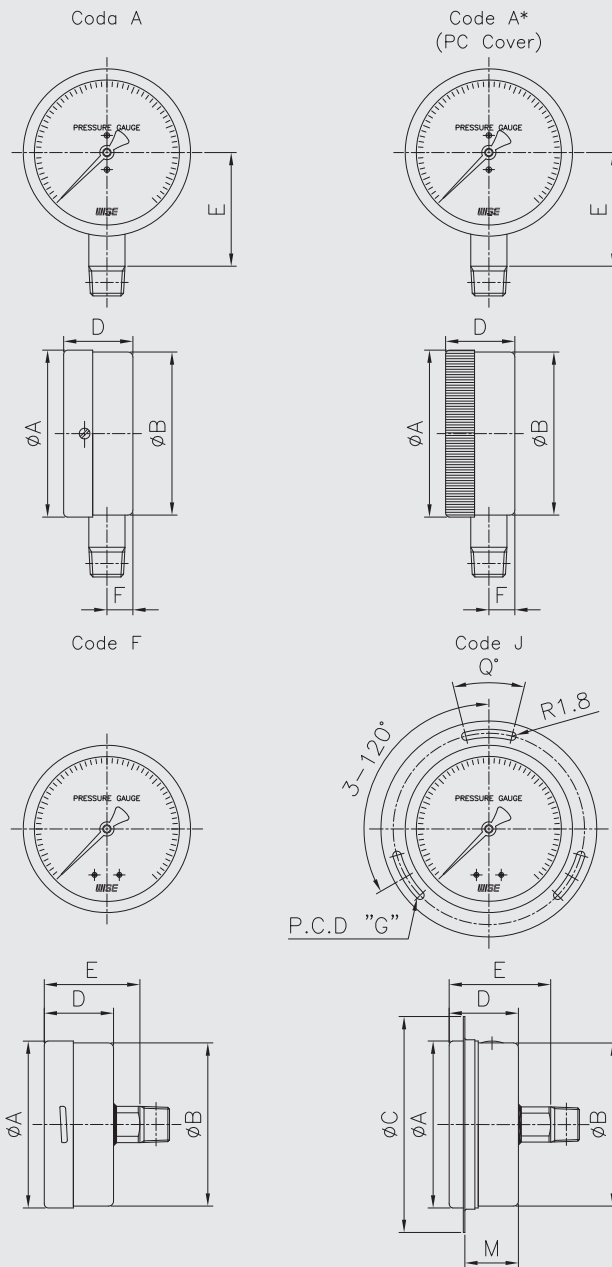
- 1** 2 colors
- 5** 3 colors

10. Option

- 0** None
- 1** Accessories

1	2	3	4	5	6	7	8	9	10	Sample ordering code
P440	2	A	4	D	B	J	XXX	1	0	

P440 : Type of mounting



Dimensions (mm)

Dial size	Available code	A	B	C	D ± 2	E ± 2	F ± 1	M	G	Q
63	A	66	65		31.5	73.5	11			
75		78	77		40	54.5	11			
100		100.3	99		45	60	14			
63	F	64	62		34	78				
	J	64	66	86	34	45		28	75	15
75	A*	84	77		38.5	49	11			

Pressure unit and range table

Range and code	Unit and code		Nominal diameter			
	S : mbar	J : kPa	63 mm	75 mm	100 mm	75 mm (PC cover)
105	-500 ~ 0	-50 ~ 0	O	O	O	O
400	-300 ~ 0	-30 ~ 0	O	O	O	O
401	-200 ~ 0	-20 ~ 0	O	O	O	O
402	-150 ~ 0	-15 ~ 0	O	O	O	O
403	-100 ~ 0	-10 ~ 0	O	O	O	O
405	-50 ~ 0	-5 ~ 0	O	O	O	O
472	-150 ~ 150	-15 ~ 15	O	O	O	O
470	-100 ~ 100	-10 ~ 10	O	O	O	O
413	-50 ~ 50	-5 ~ 5	O	O	O	O
417	-30 ~ 30	-3 ~ 3	O	O	O	O
418	-25 ~ 25	-2.5 ~ 2.5	O	O	O	O
465	0 ~ 50	0 ~ 5	O	O	O	O
469	0 ~ 100	0 ~ 10	O	O	O	O
515	0 ~ 150	0 ~ 15	O	O	O	O
437	0 ~ 200	0 ~ 20	O	O	O	O
517	0 ~ 250	0 ~ 25	O	O	O	O
518	0 ~ 300	0 ~ 30	O	O	O	O
121	0 ~ 400	0 ~ 40	O	O	O	O
040	0 ~ 500	0 ~ 50	O	O	O	O

O : Available