

General service liquid filled pressure gauge

Model : P254 Series

WISE®

Service intended

For measuring points with high dynamic pressure loads or vibrations.

For gaseous and liquid media which are not highly viscous or crystallising and will not affect copper alloy parts.

Hydraulics, compressors, shipbuilding.

Nominal diameter

63mm

Accuracy

±1.5% of full scale

Scale range (MPa, kPa, bar)

-0.1 ~ 0 to 0 ~ 40MPa

Working pressure

Steady : 75% of full scale

Over Range Protection : 130% of full scale

Working temperature

Ambient : -20 ~ 65°C

Fluid : -20 ~ 60°C

Fluid

Glycerine

Degree of protection

IP67



Standard features

Pressure connection

Brass

Movement

Brass

Window

Polycarbonate

Element

Brass

<6MPa : C Type Bourdon Tube

≥6MPa : Helical Type Bourdon Tube

Dial

White Aluminium with

Black Graduations

Process connection

Size : 1/8", 1/4"

Type : PT, PF, NPT, BSP, BSPT

One Piece type Connection

Case & cover

Stainless Steel(304SS)

Crimp ring type

Pointer

Aluminium alloy, Black painted

Ordering information

Base model

P254: General service liquid filled pressure gauge

Nominal diameter

2 : 63mm

Mounting

- A : Bottom Connection, Direct
- B : Bottom Connection, Surface, Case Mounting Plate
- F : Center back mount, Direct
- J : Center back Connection, Flush, Case Center Mounting Plate
- M : Center back Connection, Case Center Mounting Bracket.

Accuracy

4 : $\pm 1.5\%$ of Full Scale

Connection

C : 1/4"
P : 7/16"

Connection type

- B: PF
- C: PT
- D: NPT
- F: BSPT
- G: BSP
- E: UNF
- Z: Other

Unit

Refer to Pressure Unit and Range Table

Range

Refer to Pressure Unit and Range Table

Dial color

1 : 2 Colors
5 : 3 Colors

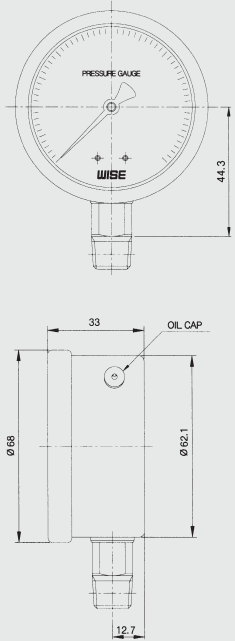
Options

0 : None
1 : Accessories

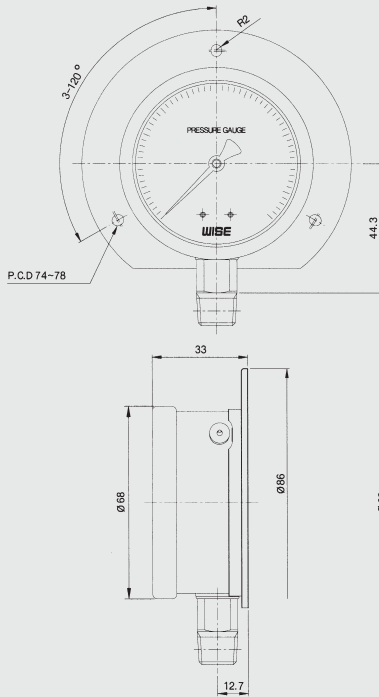
P254	2	A	5	C	B	I	047	1	0	Sample model number
-------------	----------	----------	----------	----------	----------	----------	------------	----------	----------	----------------------------

P254 : Type of mounting

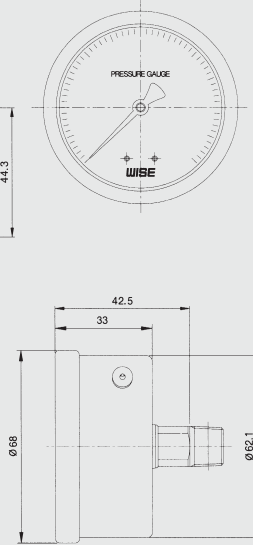
CODE A



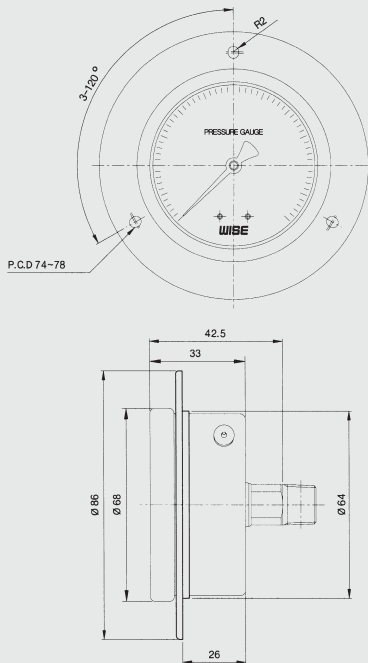
CODE B



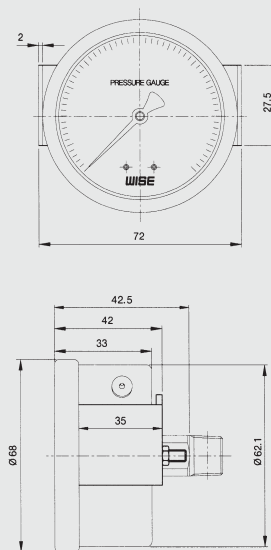
CODE F



CODE H



CODE I



Pressure unit & range table

RANGE & CODE	UNIT & CODE			NOMINAL DIAMETER
	H : bar	J : kPa	I : MPa	63mm
026	-1 ~ 0	-100 ~ 0	-0,1 ~ 0	○
041	0 ~ 1	0 ~ 100	0 ~ 0,1	○
042	0 ~ 2	0 ~ 200	0 ~ 0,2	○
043	0 ~ 3	0 ~ 300	0 ~ 0,3	○
044	0 ~ 4	0 ~ 400	0 ~ 0,4	○
045	0 ~ 6	0 ~ 600	0 ~ 0,6	○
047	0 ~ 10	0 ~ 1000	0 ~ 1	○
050	0 ~ 15	x	0 ~ 1,5	○
051	0 ~ 20	x	0 ~ 2	○
052	0 ~ 25	x	0 ~ 2,5	○
054	0 ~ 35	x	0 ~ 3,5	○
055	0 ~ 50	x	0 ~ 5	○
057	0 ~ 70	x	0 ~ 7	○
058	0 ~ 100	x	0 ~ 10	○
059	0 ~ 150	x	0 ~ 15	○
062	0 ~ 250	x	0 ~ 25	○
064	0 ~ 350	x	0 ~ 35	○
065	0 ~ 400	x	0 ~ 40	○
027	-1 ~ 1	-100 ~ 100	-0,1 ~ 0,1	○
028	-1 ~ 2	-100 ~ 200	-0,1 ~ 0,2	○
029	-1 ~ 3	-100 ~ 300	-0,1 ~ 0,3	○
030	-1 ~ 4	-100 ~ 400	-0,1 ~ 0,4	○
031	-1 ~ 6	-100 ~ 600	-0,1 ~ 0,6	○
032	-1 ~ 10	-100 ~ 1000	-0,1 ~ 1	○
033	-1 ~ 15	x	-0,1 ~ 1,5	○
034	-1 ~ 20	x	-0,1 ~ 2	○

○ : AVAILABLE × : NOT AVAILABLE