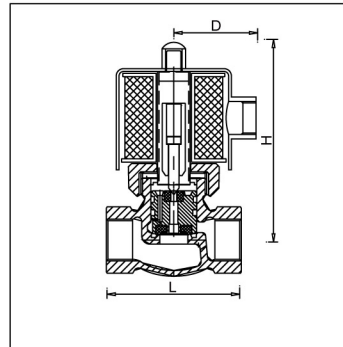


US.US-F Series

US Series

1. US series is multiplex, pilot operated piston, conductive, and normally closed
2. Valve body made of cast bronze
3. Minimum pressure of 0.5 kgf/cm² is required
4. Standard voltage: AC110V / AC220V(50/60Hz) / DC24V
5. AC Voltage tolerance: ±10%; DC Voltage tolerance: ±1%
6. Screwed end: BSPT; Specific specification is acceptable to NPT, BSP and others
7. Custom-made AC/DC voltage is acceptable
8. Acceptable for heavy oil fluid to customize
9. In case of pressure over 15 kgf/cm², customization for higher pressure is required for definite fluid type and practically working pressure
10. Suitable and applicable for horizontal installation, excluding for vertical installation



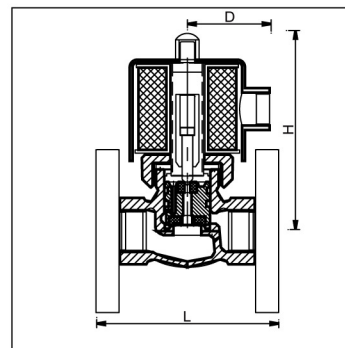
DIN COIL	MODEL	PIPE SIZE	Cv	ORIFICE	INSTANT FLUID TEMP °C	MAX. OPERATING PRESSURE DIFF. KGf/CM ²				DIMENSION(mm)			WEIGHT (kg)
						WATER	AIR	STEAM	HEAVY OIL	L	H	D	
	US-15	1/2"	4.0	17 mm	-5°C ~ 185°C	0.5-10	0.5-15	0.5-10	0.5-10	82	125	58	1.6
	US-20	3/4"	6.0	17 mm	-5°C ~ 185°C	0.5-10	0.5-15	0.5-10	0.5-10	82	125	58	1.67
	US-25	1"	12	22 mm	-5°C ~ 185°C	0.5-10	0.5-15	0.5-10	0.5-10	91	133	58	2.02
	US-35	1 1/4"	18	30 mm	-5°C ~ 185°C	1-10	1-15	1-10	1-10	111	141	58	3.08
	US-40	1 1/2"	22	30 mm	-5°C ~ 185°C	1-10	1-15	1-10	1-10	111	144	58	3.1
	US-50	2"	48	50 mm	-5°C ~ 185°C	1-10	1-15	1-10	1-10	163	175	58	6.82

DATA SHEET

PARTS	MATERIAL
Coil	Special copper wire(H)
Tube	Stainless steel
Core needle	Stainless steel
Core spring	Stainless steel
Plug	PTFE+15%GF
Piston	Brass
Piston plug	PTFE
Valve	Cast bronze

US-F Series

1. US-F series is multiplex, pilot operated piston, conductive, and normally closed
2. Valve body made of cast bronze
3. Minimum pressure of 0.5 kgf/cm² is required
4. Standard voltage: AC110V / AC220V(50/60Hz) / DC24V
5. AC Voltage tolerance: ±10%; DC Voltage tolerance: ±1%
6. Custom-made AC/DC voltage is acceptable
7. Acceptable for heavy oil fluid to customize
8. In case of pressure over 15 kgf/cm², customization for higher pressure is required for definite fluid type and practically working pressure
9. Suitable and applicable for horizontal installation, excluding for vertical installation
10. Flanged end: JIS 10K; Specific specification(ANSI 150LB, PN16 etc) is acceptable to customize



DIN COIL	MODEL	PIPE SIZE	Cv	ORIFICE	INSTANT FLUID TEMP °C	MAX. OPERATING PRESSURE DIFF. KGf/CM ²				DIMENSION(mm)			WEIGHT (kg)
						WATER	AIR	STEAM	HEAVY OIL	L	H	D	
	US-15F	1/2"	4.0	17 mm	-5°C ~ 185°C	0.5-10	0.5-15	0.5-10	0.5-10	110	125	58	2.8
	US-20F	3/4"	6.0	17 mm	-5°C ~ 185°C	0.5-10	0.5-15	0.5-10	0.5-10	110	125	58	3.2
	US-25F	1"	12	22 mm	-5°C ~ 185°C	0.5-10	0.5-15	0.5-10	0.5-10	120	133	58	4.4
	US-35F	1 1/4"	18	30 mm	-5°C ~ 185°C	1-10	1-15	1-10	1-10	140	141	58	6.3
	US-40F	1 1/2"	22	30 mm	-5°C ~ 185°C	1-10	1-15	1-10	1-10	140	144	58	6.5
	US-50F	2"	48	50 mm	-5°C ~ 185°C	1-10	1-15	1-10	1-10	195	175	58	10.9

DATA SHEET

PARTS	MATERIAL
Coil	Special copper wire(H)
Tube	Stainless steel
Core needle	Stainless steel
Core spring	Stainless steel
Plug	PTFE+15%GF
Piston	Brass
Piston plug	PTFE
Valve	Cast bronze

⚠ US.US-F Not for fluid of :

1. Liquid status when heat, solid status when cool.
2. Viscosity over 20cst.
3. Corrosive fluid