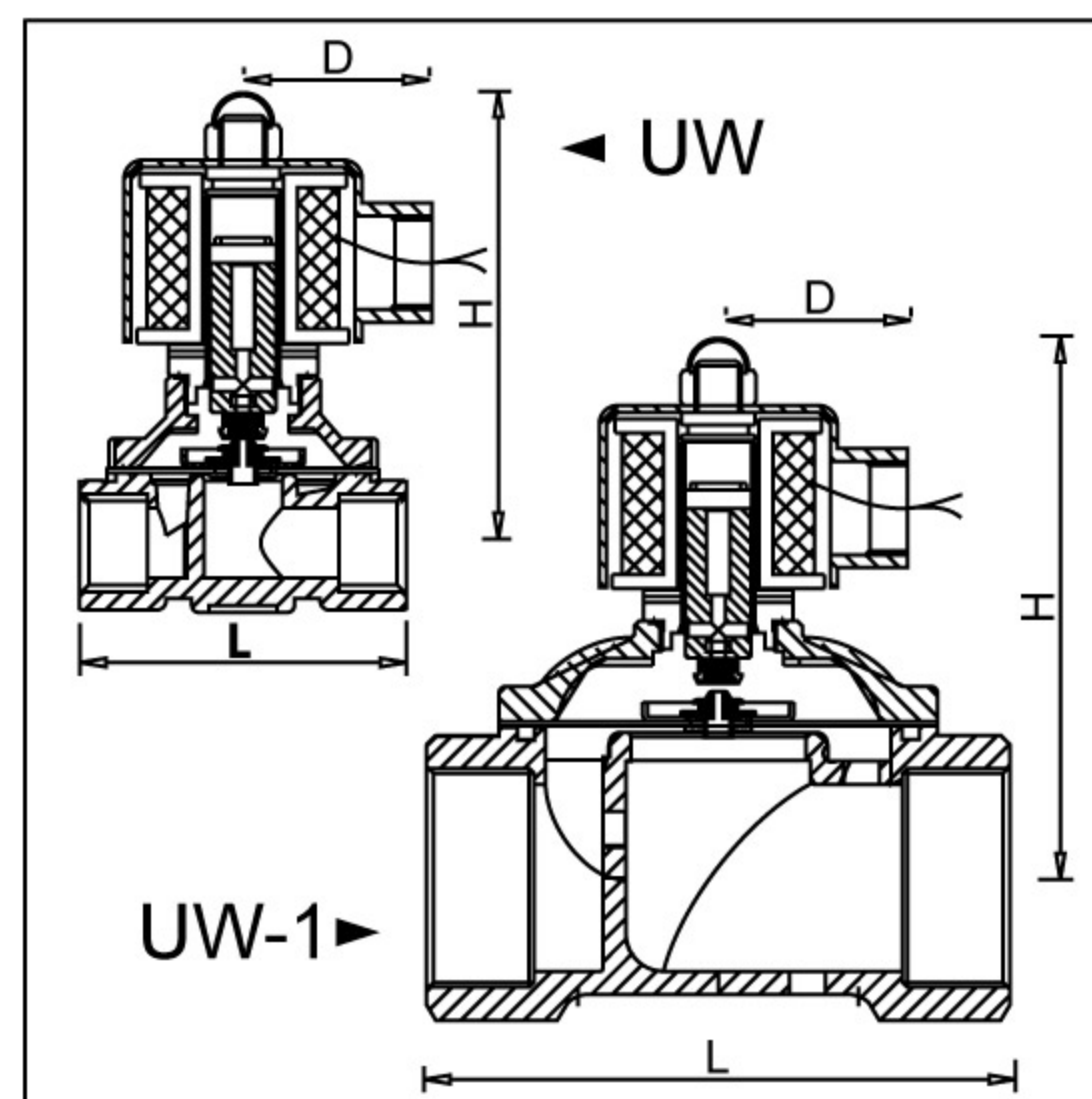


UW(-1).UW(-1)NO Series

UW/UW-1 Series

1. UW(-1) series is direct, multiplex, connected diaphragm, conductive, and normally closed
2. Valve body made of forged brass or cast bronze
3. Able to be operated under very low pressure
4. Standard voltage: AC110V / AC220V(50/60Hz) / DC24V
5. AC Voltage tolerance: ±10%; DC Voltage tolerance: ±1%
6. Screwed end: BSPT; Specific specification is acceptable to NPT, BSP DIN and NASS Coil
7. Custom-made AC/DC voltage is acceptable
8. Acceptable for specific fluid type when ordering (ex. Steam, gas, vacuum, diesel, gasoline)
9. Acceptable for operating temperature to customize Viton (130°C) and Silicone (130°C)



Optional:
NASS DIN Plug Coil
Waterproof:IP65

Option coil:

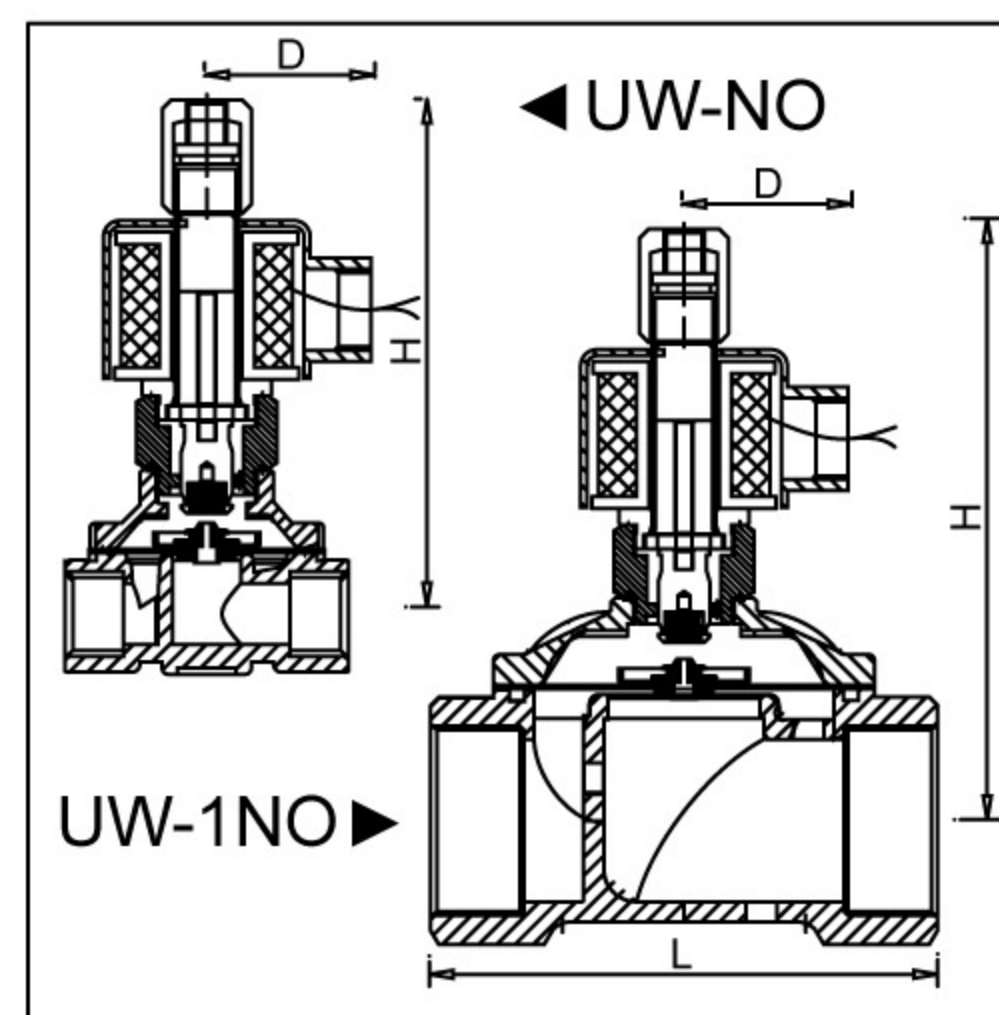


| NASS COIL | DIN COIL | MODEL | PIPE SIZE | Cv | ORIFICE | INSTANT FLUID TEMP °C | MAX. OPERATING PRESSURE DIFF. KG/CM ² | | | DIMENSION(mm) | | | WEIGHT (kg) |
|-----------|----------|---------|-----------|-----|---------|-----------------------|--|-------|-----------|---------------|-----|----|-------------|
| | | | | | | | AIR | WATER | LIGHT OIL | L | H | D | |
| ● | ● | UW-10 | 3/8" | 4.5 | 15 mm | -5°C ~ 80°C | 0-7 | 0-5 | 0-5 | 70 | 100 | 42 | 1.01 |
| ● | ● | UW-15 | 1/2" | 4.5 | 15 mm | -5°C ~ 80°C | 0-7 | 0-5 | 0-5 | 70 | 100 | 42 | 1 |
| ● | ● | UW-20 | 3/4" | 8.6 | 20 mm | -5°C ~ 80°C | 0-7 | 0-5 | 0-5 | 73 | 102 | 42 | 1.14 |
| ● | ● | UW-25 | 1" | 12 | 25 mm | -5°C ~ 80°C | 0-7 | 0-5 | 0-5 | 100 | 112 | 42 | 1.7 |
| | ● | UW-35-1 | 1 1/4" | 24 | 35 mm | -5°C ~ 80°C | 0-7 | 0-5 | 0-5 | 125 | 113 | 42 | 2.32 |
| | ● | UW-40-1 | 1 1/2" | 28 | 40 mm | -5°C ~ 80°C | 0-7 | 0-5 | 0-5 | 125 | 118 | 42 | 2.53 |
| | ● | UW-50-1 | 2" | 48 | 50 mm | -5°C ~ 80°C | 0-7 | 0-5 | 0-5 | 167 | 125 | 42 | 4.32 |

| DATA SHEET | |
|-------------|--------------------------|
| PARTS | MATERIAL |
| Coil | Special copper wire(H) |
| Tube | Stainless steel |
| Core | Stainless steel |
| Core spring | Stainless steel |
| Plug | NBR.Viton.Silicone |
| Diaphragm | NBR.Viton.Silicone |
| Valve | Forged brass.Cast bronze |

UW-NO/UW-1NO Series

1. UW(-1)NO series is direct, multiplex, connected diaphragm, conductive, and normally open
2. Valve body made of forged brass or cast bronze
3. Able to be operated directly without pressure
4. Standard voltage: AC110V / AC220V(50/60Hz) / DC24V
5. AC Voltage tolerance: ±10%; DC Voltage tolerance: ±1%
6. Screwed end: BSPT; Specific specification is acceptable to NPT, BSP DIN and others
7. Custom-made AC/DC voltage is acceptable
8. Acceptable for specific fluid type when ordering (ex. Steam, gas, vacuum, diesel, gasoline)
9. Acceptable for operating temperature to customize Viton (130°C) and Silicone (130°C)



Option coil:



| DIN COIL | MODEL | PIPE SIZE | Cv | ORIFICE | INSTANT FLUID TEMP °C | MAX. OPERATING PRESSURE DIFF. KG/CM ² | | | | DIMENSION(mm) | | | WEIGHT (kg) |
|----------|-----------|-----------|-----|---------|-----------------------|--|-----|-----|------------|---------------|-----|----|-------------|
| | | | | | | WATER | AIR | GAS | VACUUM | L | H | D | |
| ● | UW-10-NO | 3/8" | 4.5 | 15 mm | -5°C ~ 80°C | 0-5 | 0-7 | 0-7 | 0-760 Torr | 70 | 128 | 48 | 1 |
| ● | UW-15-NO | 1/2" | 4.5 | 15 mm | -5°C ~ 80°C | 0-5 | 0-7 | 0-7 | 0-760 Torr | 70 | 128 | 48 | 0.98 |
| ● | UW-20-NO | 3/4" | 8.6 | 20 mm | -5°C ~ 80°C | 0-5 | 0-7 | 0-7 | 0-760 Torr | 73 | 133 | 48 | 1.12 |
| ● | UW-25-NO | 1" | 12 | 25 mm | -5°C ~ 80°C | 0-5 | 0-7 | 0-7 | 0-760 Torr | 100 | 138 | 48 | 1.7 |
| ● | UW-35-1NO | 1 1/4" | 24 | 35 mm | -5°C ~ 80°C | 0-5 | 0-7 | 0-7 | 0-760 Torr | 125 | 138 | 48 | 2.5 |
| ● | UW-40-1NO | 1 1/2" | 28 | 40 mm | -5°C ~ 80°C | 0-5 | 0-7 | 0-7 | 0-760 Torr | 125 | 145 | 48 | 2.9 |
| ● | UW-50-1NO | 2" | 48 | 50 mm | -5°C ~ 80°C | 0-5 | 0-7 | 0-7 | 0-760 Torr | 167 | 156 | 48 | 4.5 |

| DATA SHEET | |
|-------------|--------------------------|
| PARTS | MATERIAL |
| Coil | Special copper wire(H) |
| Tube | Stainless steel |
| Core | Stainless steel |
| Core spring | Stainless steel |
| Plug | NBR.Viton.Silicone |
| Diaphragm | NBR.Viton.Silicone |
| Valve | Forged brass.Cast bronze |

⚠ UW(-1).UW(-1)NO Not for fluid of :

- 1.Liquid status when heat,solid status when cool.
- 2.Viscosity over 20cst.
- 3.Corrosive fluid